

Schottky Barrier Diode

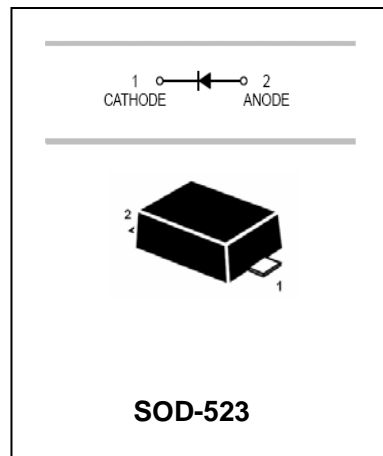
1PS79SB30

FEATURES

- Low forward voltage.
- low reverse current
- Guard ring protected
- Small package.



Lead-free



APPLICATIONS

- Ultra high-speed switching
- Voltage clamping
- Protection circuits
- Blocking diodes
- Low power consumption applications (e.g. hand-held applications).

ORDERING INFORMATION

Type No.	Marking	Package Code
1PS79SB30	G1	SOD-523

MAXIMUM RATING @ Ta=25°C unless otherwise specified

Parameter	Symbol	Limits	Unit
continuous reverse voltage	V_R	40	V
Continuous forward current	I_F	200	mA
Surge current	I_{FSM}	1	A
Total power dissipation	P_{tot}	150	mW
Junction temperature	T_j	-65 to +150	°C
Storage temperature	T_{stg}	150	°C
operating ambient temperature	T_{amp}	-65 to +150	°C



Schottky Barrier Diode

1PS79SB30

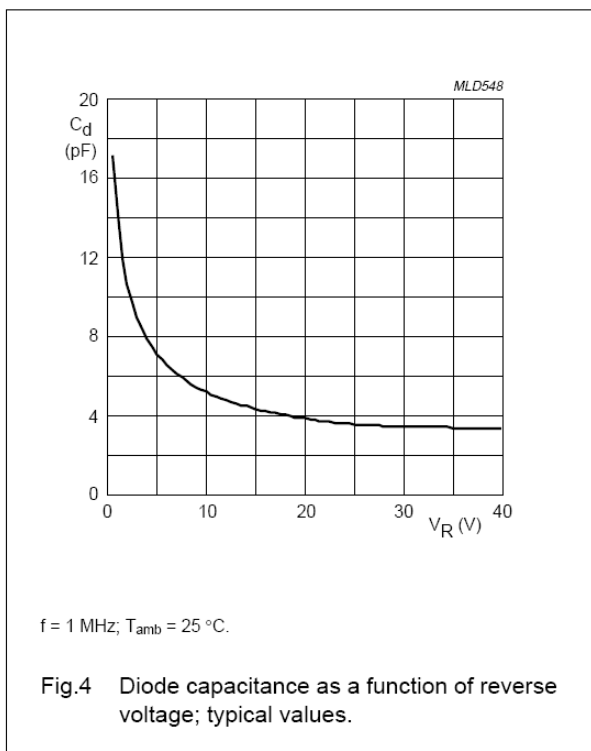
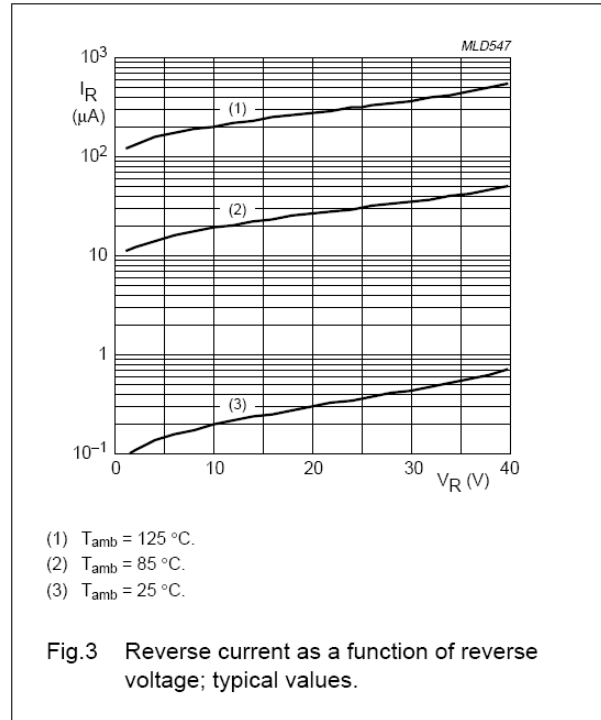
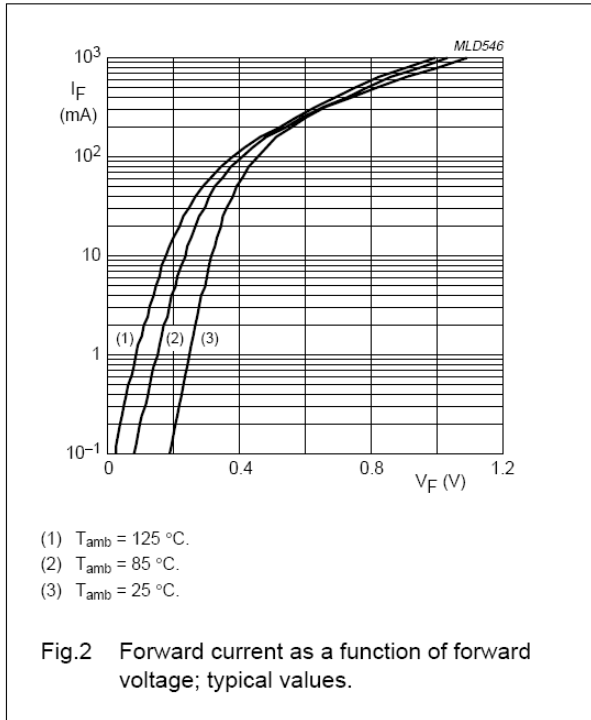
ELECTRICAL CHARACTERISTICS @ Ta=25°C unless otherwise specified

Parameter	Symbol	Min.	Typ.	Max.	Unit	Conditions
Forward voltage	V _F		0.19	0.22	V	I _F =0.1mA
			0.25	0.29	V	I _F =1mA
			0.32	0.36	V	I _F =10mA
			0.44	0.5	V	I _F =100mA
			0.52	0.6	V	I _F =200mA
Reverse current	I _R			0.5	μA	V _R =25V
Diode capacitance	C _d			20	pF	V _R =1V,f=1MHz

Schottky Barrier Diode

1PS79SB30

TYPICAL CHARACTERISTICS @ Ta=25°C unless otherwise specified





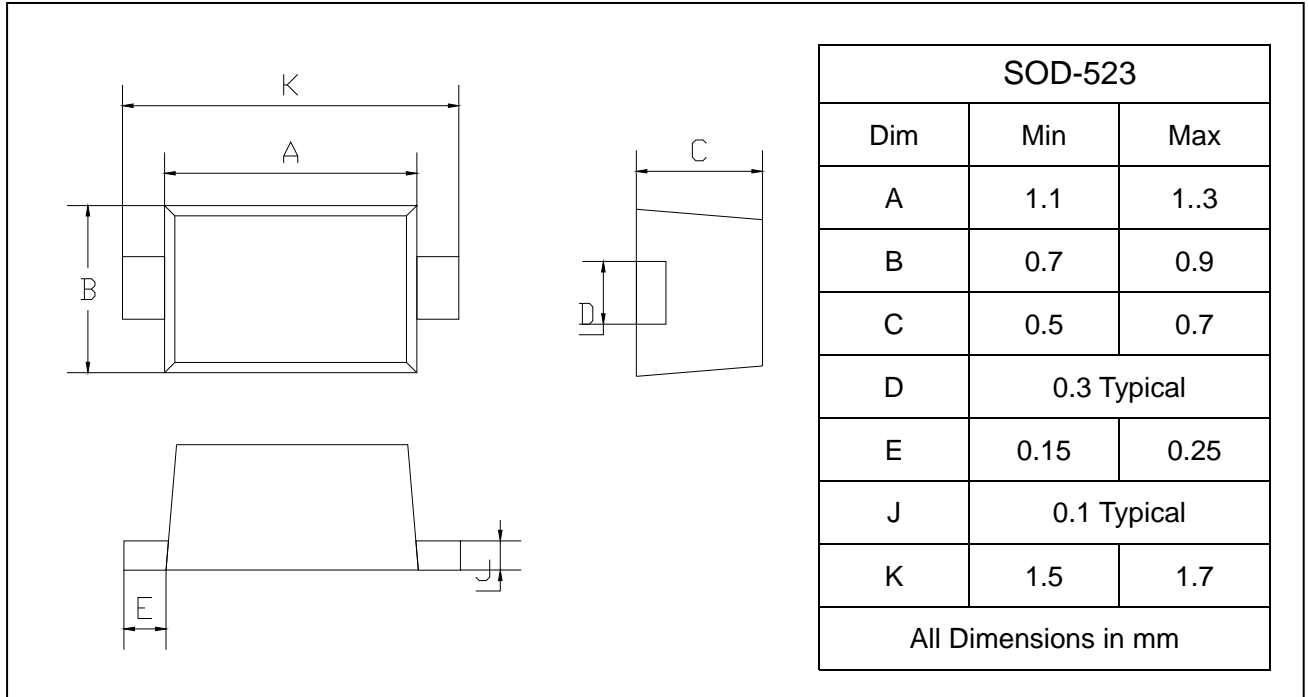
Schottky Barrier Diode

1PS79SB30

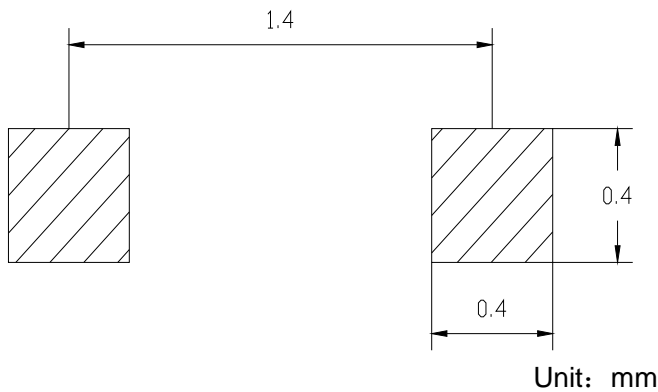
PACKAGE OUTLINE

Plastic surface mounted package

SOD-523



SOLDERING FOOTPRINT



PACKAGE INFORMATION

Device	Package	Shipping
1PS79SB30	SOD-523	3000/Tape&Reel